



MD 421 KOMPAKT MZH DRUMS



Quick Guide

Kurzanleitung

Guide de démarrage rapide

Guida rapida

Instrucciones resumidas

Instruções resumidas

Beknopte gebruiksaanwijzing

Krótko instrukcja obsługi

Snabbguide

Kort vejledning

Pikaohje

Γρήγορος οδηγός

Kisa Kilavuz

Краткая инструкция

快速指南

快速使用指南

クイックガイド

퀵 가이드

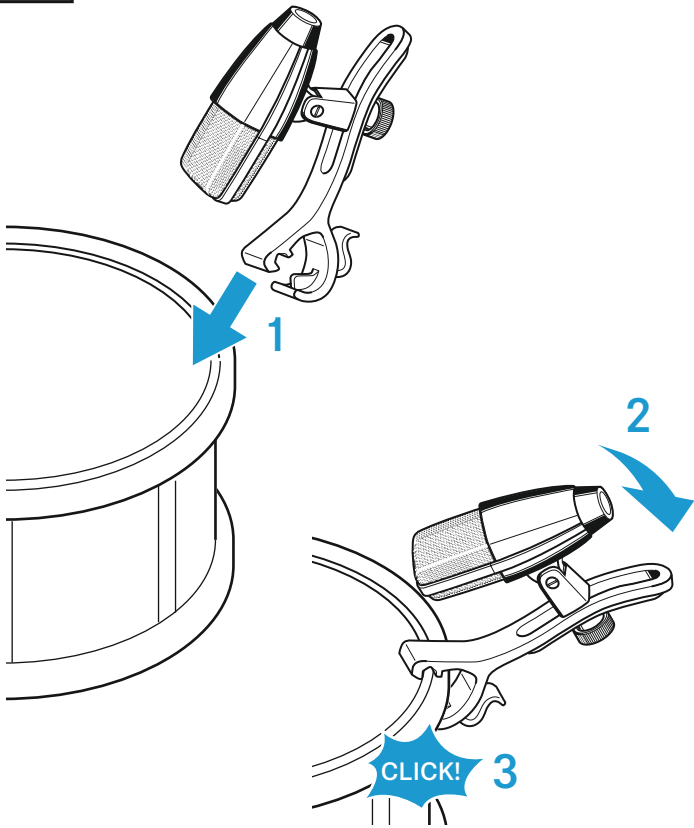
Sennheiser electronic SE & Co. KG

Am Labor 1, 30900 Wedemark, Germany
www.sennheiser.com

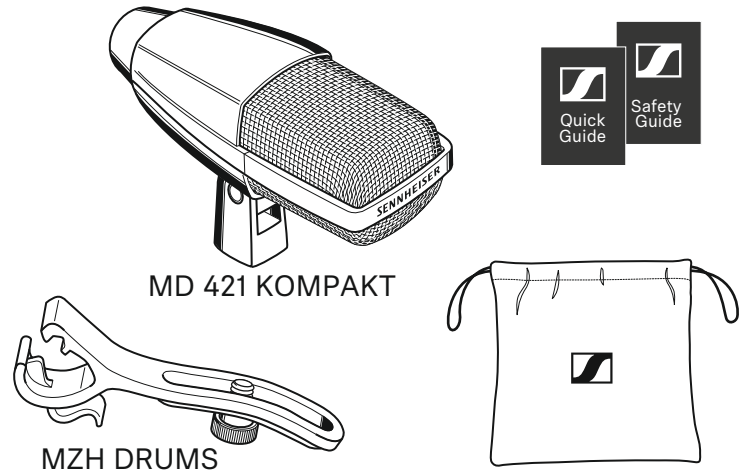
Printed in Germany
Publ. 04/24, 597281/A01

SENNHEISER

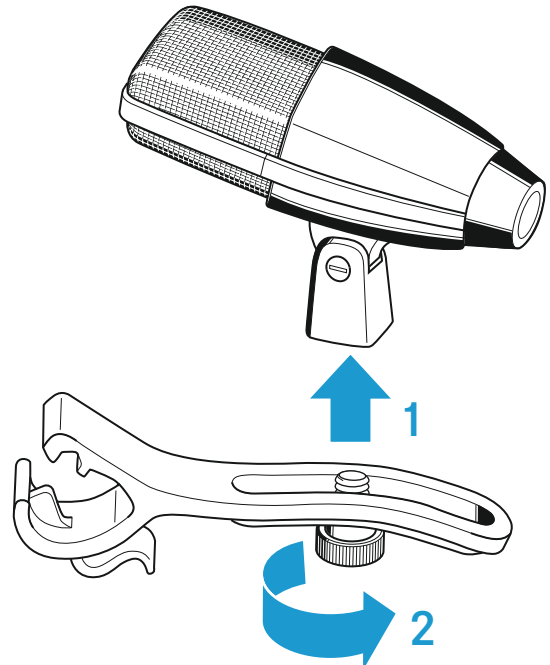
Setup



In the box

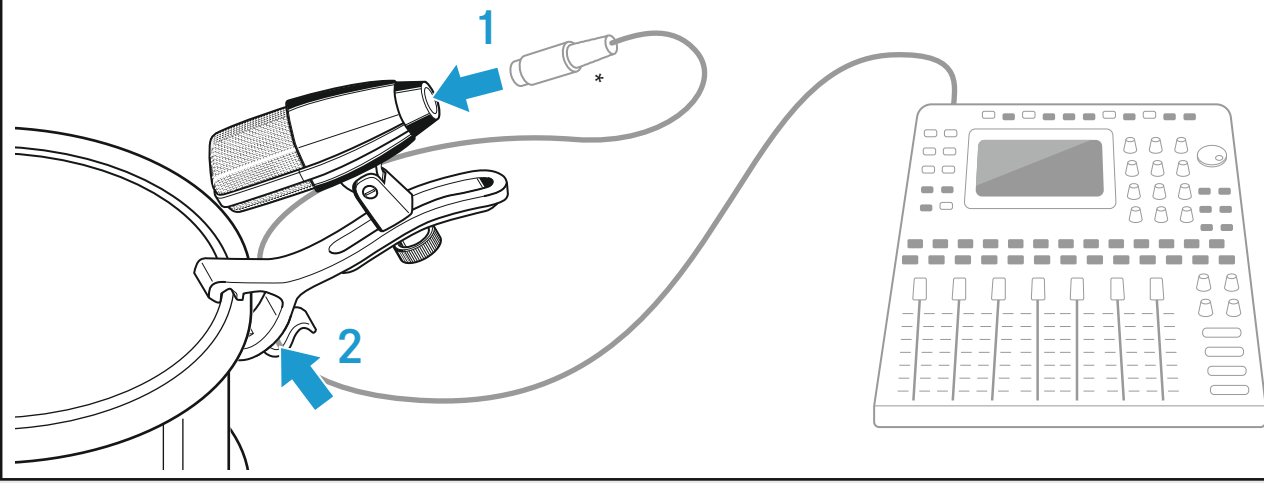


Setup

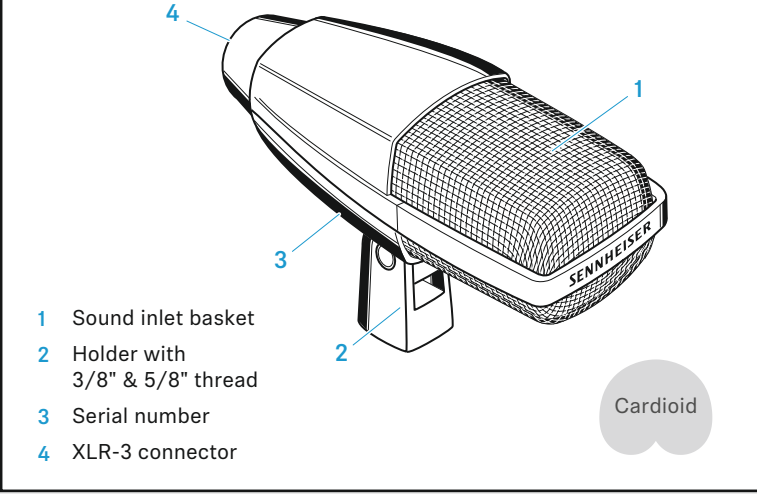


Connecting

*XLR-3 cable not included

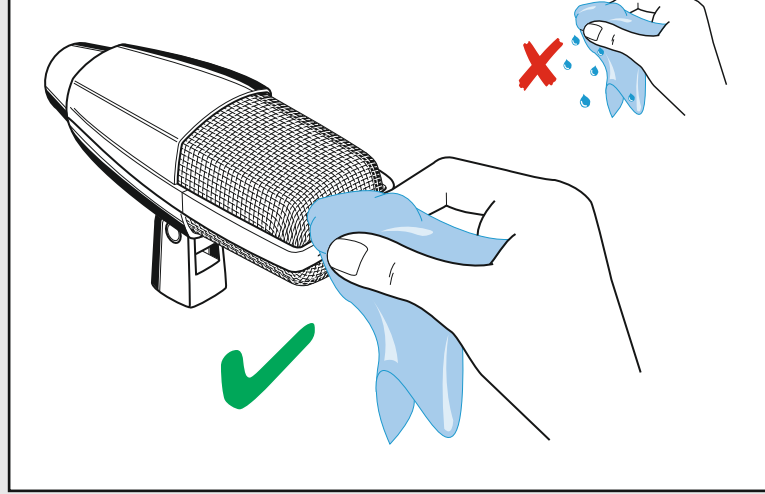


Overview



Cardioid

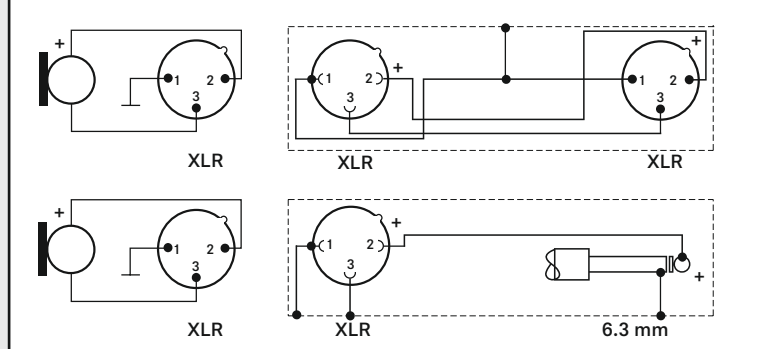
Cleaning



Specifications

| | |
|------------------------------------|------------------------------|
| Transducer principle | Pressure gradient transducer |
| Frequency response | 30 - 17,000 Hz |
| Pick-up pattern | Cardioid |
| Sensitivity (free field, at 1 kHz) | 2 mV/Pa \pm 2.5 dB |
| Electrical impedance | 250 Ω |
| Min. terminating impedance | 1 k Ω |
| Connector | XLR-3 |
| Dimensions | 122 x 49 x 84 mm |
| Weight | 159 g |

Connector assignment



Polar pattern and frequency response

